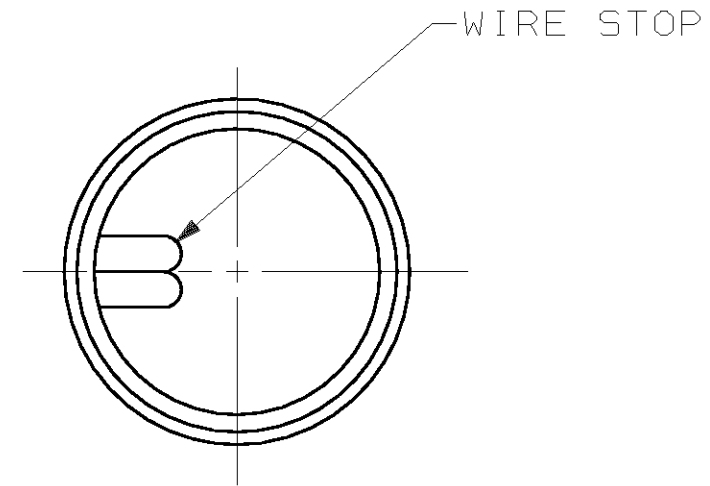
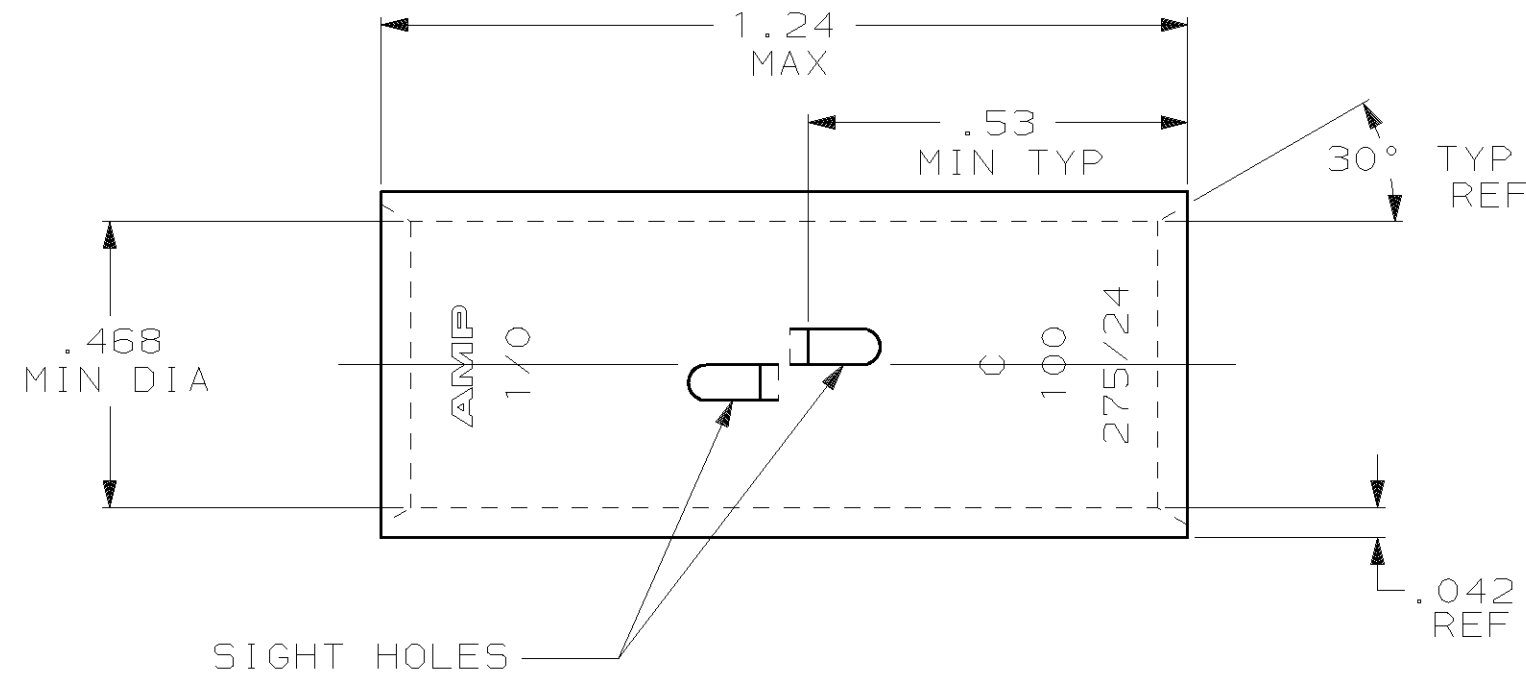


THIS DRAWING IS UNPUBLISHED. RELEASED FOR PUBLICATION, 19 .
 © COPYRIGHT 19 BY AMP INCORPORATED. ALL INTERNATIONAL RIGHTS RESERVED.

LOC G	DIST 86	P	F	REVISIONS			DATE	APPD
				ZONE	LTR	DESCRIPTION		
					M	REV PER 0G3A-0637-01	030CT02	JR/MS



△ TIN PL .000150 MIN THK
 MIL-T-10727

CLEANED	83,700-119,500 CM	COPPER ASTM-B-75 ANNEALED	1-324458-0
△			324458
FINISH	WIRE RANGE	MATERIAL	PART NO
DO NOT SCALE PRINT. UNLESS SPECIFIED DIMENSIONS IN INCHES TOLERANCES ON: 2 PLC DEC ± - 3 PLC DEC ± - ANGLES ± -	DR 4/24/89 DK SCHRUM CHK 4/24/89 MS FEHER	AMP AMP INCORPORATED Harrisburg, Pa. 17105	NAME SPLICE, BUTT, AMPPOWER WIRE SIZE: 1/0 AWG
MATERIAL SEE TABLE	APPD 11/8/89 WJ VOCKROTH APPD 11/8/89 TL SHUTTER PRODUCT SPEC -		
FINISH SEE TABLE	APPLICATION SPEC -	SIZE B	FSCM NO 00779
	WEIGHT .027 LB.	SCALE 4:1	DRAWING NO 324458
			SHEET 1 OF 1